

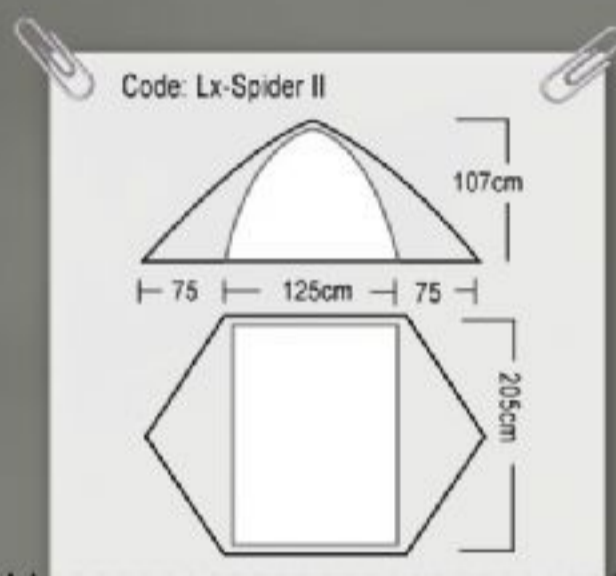
**Luxe**  
Outdoor

# Spider II



dbM

[www.luxeoutdoor.com](http://www.luxeoutdoor.com)



season  
3

+/-  
2 kg

SEASITING

2



Large mesh panels and hood vent provide ventilation and minimize the opportunity for condensation



vertical wall to give comfort on head and foot section

Reflective zip puller



Reflective tape



Reflective ropes



Strong Y-stake provided



Concept 1 - simple and fast setting  
Concept 2 - stake points shared to decrease no. of stake

Inner

>1500mm

>4000mm

Yunan 7001-T6

## Assembly

- Look for an even patch of ground and remove any large and sharp stones as well as branches to avoid damage to the ground sheet. Then, spread the tent on the ground.
- Assemble the alloy poles by joining pole sections which to be pre-set on inner tent with O-Ring. Then insert pole ends into the grommet of each ends and pull the pole set up the tent body.
- Secure all the corners' webbing loop with pegs into the ground, then the whole tent body will stand up. Drive the pegs into the ground at a slant for greater stability.
- Close the door before rainfly setting and cover the tent body with flysheet and attach rainfly velcro to the pole for better fixation. Attach buckles on each corners of the tent (see step 3). Set guy ropes (optional) on 4 corners to get higher stability and minimize the opportunity for condensation. ( make sure the plastic stoppers on the pole ends locked with O-Rings when dis-assembling the inner tent.)

