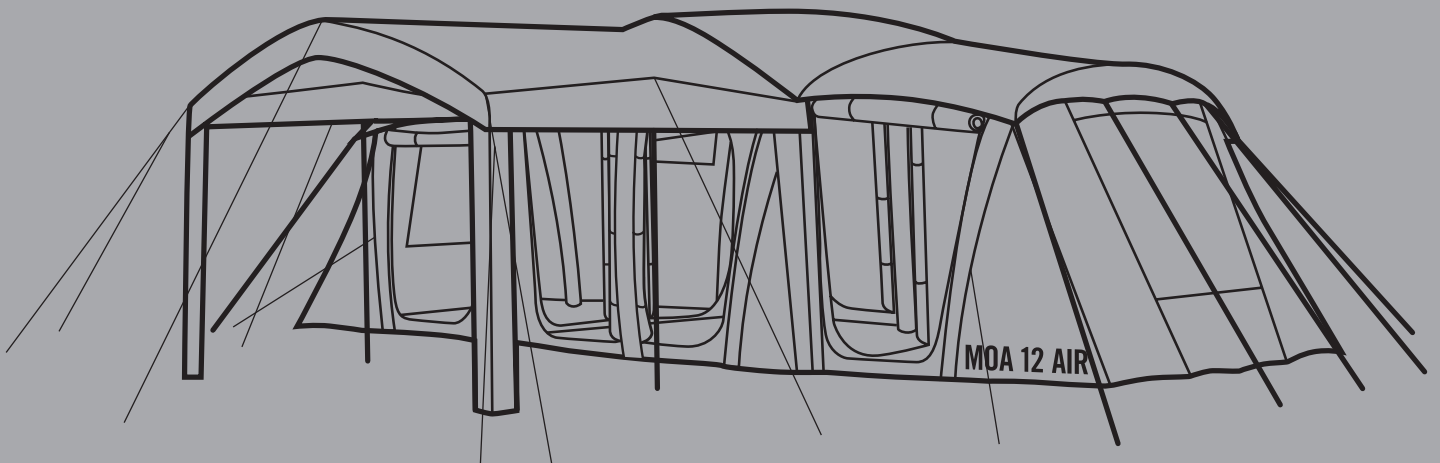


# MOA 12 AIR

CANVAS TENT



## OWNER'S MANUAL



**IMPORTANT:** Read this manual carefully before using the tent.  
Keep this manual in a safe place for future reference.

Model No.  
KC070-270

# Introduction to your tent

Dear customer,

Thank you for purchasing a Moa 12 Canvas Air Tent. This manual has been provided to ensure you get the best results and the longest life from your Kiwi Camping tent. Please read all of the information contained in this manual thoroughly before using your new tent and keep it in a safe place for future reference.

- Before you use your new tent, fully unpack and pitch it at home. It is important to familiarise yourself with the set up procedure and the various features.
- Select a site that is level, clear of any sharp objects, is dry, will drain well if rains and is protected from the wind and other elements.
- For best and easiest results, enlist the help of at least one other person to assist in pitching the tent.

**NOTE:** The warranty on this tent will be deemed void if this product is used for any purpose other than a temporary shelter.

## Pre-Conditioning your tent

You must pre-condition your tent properly at home before going on holiday for the first time. Here you can take your time and discover the little things, which will make the job easier when you arrive at your destination.

**IT IS IMPORTANT TO REMEMBER THAT THERE ARE TWO STEPS TO THE PRE-WEATHERING PROCESS.**

1. The entire soaking of the tent: this needs to be done to set the fabric, seams and seal the needle holes in the canvas. If this is not done, your new tent may leak and may continue to do so until conditioning has occurred. While your tent is pitched at home, leave it to weather in continuous rain or thoroughly saturate your tent with a garden hose and allow to dry, then repeat the process several more times. Rain is the preferred option as sometimes the hose may not wet the fabric enough and you will still get some leakage.
2. Drying out in the sun: this important step swells the cotton thread and shrinks the canvas around it forming a water tight seal. This water tight seal will last the life of the tent. If it is a hot day, it will slow the weathering process so you may need to do this several times. While the tent is drying ensure that it is pitched firmly to control any initial shrinkage.

This early weathering process is a very important step as it sets up your tent for the remainder of its life. Remember, you can never over pre-condition your tent!

## Maximum Performance Tips

- It is essential that you attach guy ropes and securely fasten them to the ground, especially in windy conditions. Please note, your tent is not warranted against wind damage.
- Use all of the guy ropes and pegs provided to ensure your tent is secure and to prevent damage to both yourself and the tent. Check guy ropes, black webbing straps and pegs daily.
- Insert pegs into the ground at a 45° angle, not straight down.
- Position the back of the tent into the wind.
- Ensure there is an adequate gap between the fly and the inner tent to ensure adequate ventilation and prevent condensation build up.
- Try to avoid pitching your tent under trees as tree limbs, falling leaves, sap, bird droppings or excess water dripping from the trees can cause damage to the tent fabric and its special coatings resulting in leakage or discolouration.
- DO NOT leave your tent pitched for weeks at a time as extended exposure to the sun's ultraviolet rays can damage and cause it to discolour. Your tent will not be covered under warranty if you leave it up for many weeks at a time.

## Safety Warnings

### WARNING

- Tents are not fire proof, if exposed to flame or high heat sources they can ignite and burn.
- Never place your stove, campfire, heater or other flame source in or near your tent or shelter.
- Never cook, light or refuel a stove or other heat source in or near your tent or shelter.
- Do not operate gas appliances in your tent.
- Do not hang lights or heating devices near the walls of your tent or shelter.
- Maintain adequate ventilation inside your tent at all times.
- Familiarise yourself with fire safety rules and regulations of the grounds where you are camping.
- Keep children away from all heat and fire sources.
- Do not store flammable liquids inside your tent.
- Do not smoke in your tent.
- Extinguish or turn off all appliances, fires and heat sources before going to sleep.
- Never use aerosols or insect repellent sprays in or around the fabric of your tent as it can damage the water proofing and is not covered by our warranty.

## Warranty Information

The warranty period for this tent is found on the packaging and full details are on the Kiwi Camping website - [www.kiwicamping.co.nz](http://www.kiwicamping.co.nz).

### **Key Points:**

The original purchaser of this product is offered a warranty if during the warranty time period the product fails due to a fault in either materials or workmanship. Service under this warranty is available by returning the product, with your proof of purchase, to where it was purchased. If after inspection it is determined that the product is defective, we will repair or replace it (at our discretion) free of charge. This warranty does not cover misuse, damage caused by accident, storm or wind damage, mildew, neglect, UV degradation and fair wear and tear. Please note, the warranty on this tent will be deemed void if the product is used for any purpose other than a temporary shelter. If the claim is not deemed a warranty or is outside it's warranty period, we can repair the product at a nominal cost.

# Product Parts

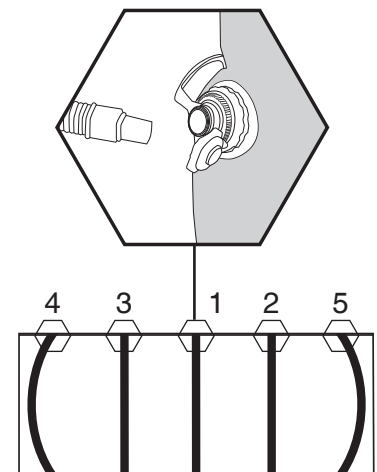
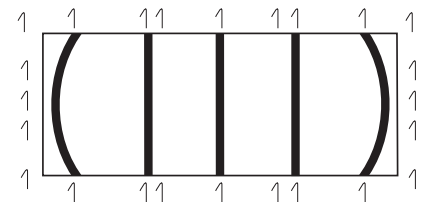
## Your Kiwi Camping Moa 12 Air tent includes:

- 1 x canvas tent (with air poles attached)
- 1 x canvas fly (with guy ropes and fasteners attached)
- 63 x steel pegs
- 1 x hand pump
- 5 x steel porch FRAME poles (1 x 22mm top arch, 2 x 25mm corner arches, 2 x 22mm straight poles)
- 1 x steel porch pole RIDGE (2800mm x 22/25mm)
- 2 x steel SIDE porch poles (1940mm x 19/22mm)

# Pitching Instructions

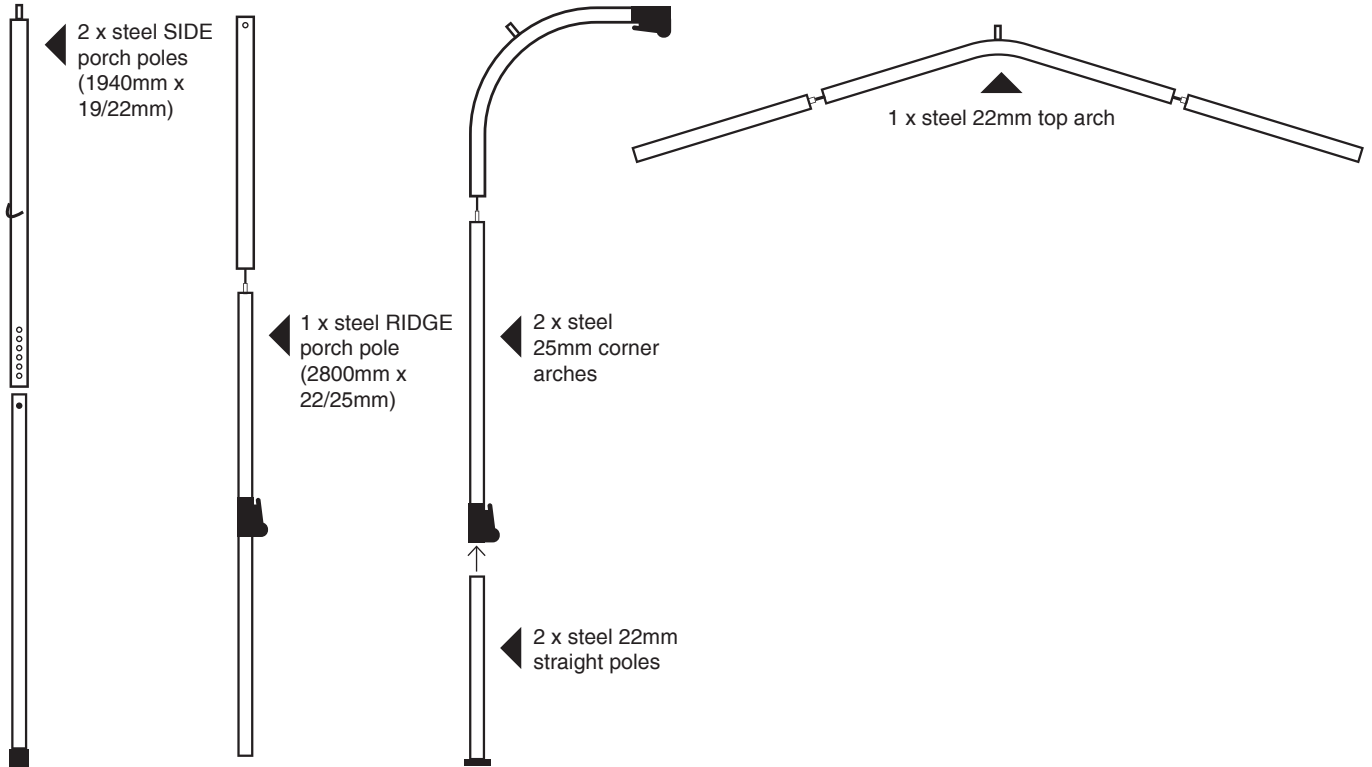
**NOTE: Read all tent care instructions before use.**

1. Select a dry, level site and clear the ground of any sharp objects. Remove the tent, pegs and pump from the carry bag. Untie fabric ties and unroll tent with the floor facing down.
2. Spread out the tent and peg out the four main corners ensuring the tent is pulled taut and square. Peg out the middle pegging points and then the remaining pegging points on the floor. To make sure the tent stays in place, insert the pegs into the ground at a 45° angle. It is recommended to pitch the tent so it is in line with wind, never side on.
3. Unzip and open the doors to make erecting the tent easier. The fly can be laid out on top of the tent before inflation. To keep the porch clean and out of the way, fold it back over the roof of the tent until needed.
4. There is an external valve located on each air tube. Before inflating, the valves need to be screwed into the air tube. Unscrew the valve cap on top of the valve. Insert the pump hose into the valve and inflate the air tubes from the centre tubes outwards. You may need to help the tube stand up so it inflates evenly and in the correct shape. Make sure you only inflate to the recommended pressure (6-8psi) as over-inflation can lead to tube damage. Replace top cap of the valve after inflating each air tube. It is recommended in hot weather that 6psi is used to allow for the air to expand inside the air tubes. In cooler/windier conditions 8psi is recommended. Please adjust the pressure in the air tubes as the ambient temperature changes. Only use the pump provided as it has a pressure gauge which shows the recommended pressure (psi).
5. Make sure the tent is sitting evenly. You may need to adjust the base of each air pole so it sits flat with the ground.
6. Rope out the guy ropes and webbing straps and fine tune the tent so it remains taut and positioned correctly. Fold the porch off the roof.
7. If you haven't already done so, carefully pull the FLY over the tent. Secure the fly to the tent by fastening the buckles on each corner first, then fasten and tighten the remaining buckles.
8. Finally, peg out the remaining guy ropes and webbing straps, ensuring that adequate tension has been applied to the rope adjusters to keep the fly sitting securely. Ropes should not be too close to the tent, ie. more angle means more tension.



# Pitching Instructions

- Assemble all the porch poles. Installation of these poles will require two people. Fit the porch roof RIDGE pole by connecting to the plastic lug on the air tube at the tent end. Extend the pole out to the length of the porch. Support ridge pole at the opposite end while arched front porch FRAME is being fitted.

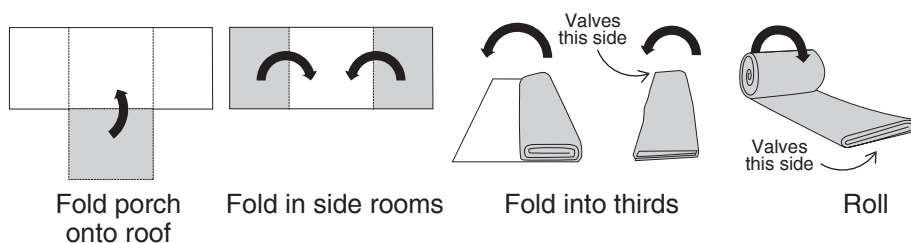


- Fit the arched porch frame under the roof ridge pole and feed pins through the eyelets at the front of the porch. Extend all poles out until porch roof and front frame is taut. Secure frame to the porch with hook and loop tabs.
- Finish by installing SIDE poles and pegging out guy ropes. When pegging out the steel porch poles, make sure the ropes are at a 45° angle to apply an even tension.

# Packing Instructions

- Take down the porch poles, unzip any doors & windows and remove the fly.
- Fold the dry fly and roll until it fits into the fly bag. Remove pegs, leaving only the four corner pegs.
- Deflate the air tubes in the reverse order shown in the diagram on page 4. Unscrew the valve caps releasing all the air in the air tubes. Make sure all the air escapes and the doors are unzipped.
- Once the tent is deflated, remove the corner pegs. Fold the tent as shown below. Ensure that the air valves are not obstructed to allow the remaining air to escape. To reduce the chance of valve malfunction, the valves should be fully unscrewed when the product is in storage.

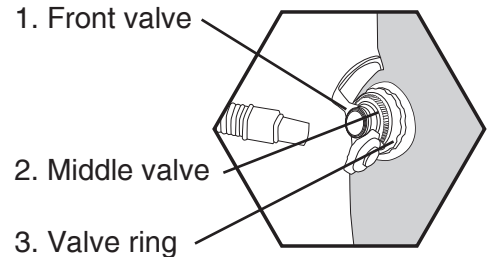
Ensure the tent is completely dry and clean before storing away and store it in a dry environment.



# Tent Maintenance and Care Guidelines

## General Care Guidelines

- One of the most important things you can do is to make sure your tent is pitched correctly and keep a close eye on the weather, as we have no control over how and where the tent is used or pitched. Peg out all of the pegging points and use all of the guy ropes and black webbing straps. Extra pegs and ropes are recommended in stormy conditions. Wind damage is not covered by our warranty.
- Check your air tube psi regularly. As the ambient temperature gets warmer, the air in the air tubes will expand and the psi will increase. In hot temperatures, keep the psi close to 6 (to allow for air expansion). In cooler temperatures, increase psi to 8.
- To check the psi, remove the front most cap on the air valve (the front valve (1.) has a one-way flow and won't let out air), insert your pump. Pump until the pump gauge shows 6 to 8 psi. Remove pump and replace cap.
- To release pressure in your air tubes, gently unscrew the middle valve (2.) until you hear a pressure release. It is recommended to release more air-pressure than you require and then re-pump the air tube to ensure your psi is at the correct pressure.
- Never undo protective sleeve around an inflated air tube. This will cause a weak spot in the air tube.
- Always replace protective cap on valve after inflating air tube and ensure the pump nozzle is free of contaminants. This will prevent dirt effecting the one-way seal and will stop slow depressurisation.
- Handle porch tent poles carefully. When unfolding and folding the poles, do not allow the shock cord to pull and snap the ends together. This can damage the pole's ends and result in breakage when the pole is tensioned.
- Do not empty the frame on to the tent canvas as the ends of the frame parts may damage the canvas. Damage caused this way is not covered by the warranty.
- Avoid using aerosol sprays or any solvent based products in or around your tent as these could damage the fabric or special coatings. These products include but are not limited to: repellent spray, hair sprays, alcohol, detergents, fly spray, petrol, kerosene etc. Keep petrol, oil, solvents and other similar fluids away from the fabric. Do not use these inside or around your tent, as any damage caused by these products is not covered by our warranty.
- When closing doors, make sure that you hold the flaps up to take pressure off the zips. Ensure that the tent fabric is never over stretched, as this may cause problems with the internal doors.
- Only remove the tent pegs by pulling on the peg itself. NEVER pull on the tent or the webbing loops to remove pegs as it could result in damage to the tent or personal injury.
- Tent fabrics are not 100% colourfast and some fading will occur naturally, however, this does not affect the performance of the fabric. Do not leave your tent up and unattended for a long period of time. Tents are not designed as permanent dwellings. Tents are guaranteed for normal camping use only.
- Use the canvas tent fly provided as this provides an extra layer of protection and adds stability.



## Cleaning Guidelines

- Like all assets, canvas tents require regular care and attention to give the life and service expected.
- Regular cleaning with plenty of clean water and a soft brush, especially after exposure to salt water will preserve your tent's life. Do not allow bird droppings, earth or vegetable matter to remain in contact with the fabric. Never use soaps or detergents.
- To clean your tent, use a soft sponge and warm water. DO NOT use excess force or other harsh tools to remove soilage from tent.
- If you notice dirt, bird droppings or other marks on, or inside, the tent while it is up, clean them off straight away to avoid them setting and becoming hard to remove.
- Wash the frame in fresh water after using your tent near salt water.
- Keep the air valves clear of any dirt. If debris gets caught inbetween the one-way valve and seal, air may escape. To clean the valve, deflate the air tube, unscrew front valve from the air tube, pop off the rubber seal and use a damp cloth to gently wipe over seal and valve. Replace seal.

## Storage Guidelines

- Ensure the tent is completely dry and clean before storing away and be sure to store it in a dry, well ventilated environment off the floor.
- Always open the zips of the tent before rolling it up to prevent unnecessary strain which may damage them, having them open will also make it easier to erect the tent.
- Always put the frame away dry and in the bag provided. Never store frame parts inside each other.
- Should mildew spots appear, brush them off before they become attached. Mildew damage of any kind is not covered by our warranty.
- Never store your pegs or poles, loose inside your tent. Always use the separate bags they are supplied with.
- Never store your tent wet or dirty (even for short periods of time).

# Trouble Shooting

Problem	Causes / Solutions
Condensation	<ul style="list-style-type: none"> <li>• Condensation is caused when warm air meets cool air and the moisture condenses on the fabric.</li> <li>• Moisture in the tent from cooking, wet gear/clothing and breath vapour can cause condensation.</li> <li>• Create as much ventilation as possible to reduce condensation. If weather permits, open windows and doors. Ensure there is an adequate gap between the fly and the tent at all times.</li> <li>• Remove wet/damp gear and clothing from the tent if possible.</li> </ul>
Mildew	<ul style="list-style-type: none"> <li>• Never put the tent away wet, damp or soiled to avoid mildew. Store in a dry, ventilated area.</li> <li>• Wash the affected areas with warm water and a soft brush or sponge.</li> </ul>
Saggy Fly	<ul style="list-style-type: none"> <li>• Ensure all of the guy ropes and pegging points are utilised and secure. They should be holding the fly taut and evenly tensioned. Make sure the ropes are not pegged too close to the tent, as this reduces the tension on the fly. For best results the angle of the rope should be the same as the angle of the roof.</li> <li>• Check the guy ropes and pegs daily.</li> </ul>
Rip	<ul style="list-style-type: none"> <li>• You can temporarily repair small tears with <i>Tear Aid A</i> tape (available from Kiwi Camping stockists).</li> <li>• For larger tears and permanent repairs consult Kiwi Camping stockist or a canvas tent repairer.</li> </ul>
Leaking Seams	<ul style="list-style-type: none"> <li>• The seams have been heat tape seam sealed. If this begins to lift, cut off the lifted tape and apply seam sealer.</li> </ul>
Unstable Awning	<ul style="list-style-type: none"> <li>• Ensure the extendable roof pole and curved arch poles are extended until the awning is taut. Attach securely with hook and loop ties.</li> <li>• To create a stable awning you will need to use four ropes. One on each side of the awning and a 'V' double guy rope at the front corner of the awning.</li> <li>• 'V' double guy ropes can be purchased from a Kiwi Camping stockist for this purpose.</li> </ul>
Air Tube Damage	<ul style="list-style-type: none"> <li>• Firstly, ensure the air tube doesn't just require extra air. Cooler temperatures at night can make the air tubes look less inflated. As the day warms up, the air will expand.</li> <li>• Check the air valve. If debris is in between the one-way seal and the valve, there may be a slow leak. Deflate the air tube, clean the valve (instructions in Cleaning Section) and re-inflate.</li> <li>• If the air tube is still losing air: <ol style="list-style-type: none"> <li>1. Deflate the air tube completely. <b>Never undo protective sleeve around an inflated air tube.</b> Once fully deflated, unzip the tent sleeve and gently remove the air tube.</li> <li>2. Lay the air tube down as flat as possible (ensure tube doesn't come into contact with anything sharp or abrasive). Untie the zip fastener and un-zip the outer sleeve completely. Push the air valve through the outer sleeve and allow the clear inner air tube to come free.</li> <li>3. Re-attach the air valve into the clear inner air tube. Inflate the clear inner air tube and see if you can feel or hear an air leak. Add a spray of water, or dip the air tube into water and watch for bubbles. Mark the damaged area and deflate the air tube.</li> <li>4. Allow to dry. Clean area around the damage with an alcohol swab. Allow to dry. Use <i>Tear Aid B</i> to cover an area about 2.5cm around the damage, follow instructions until repair has cured.</li> <li>5. Unscrew air valve from clear inner air tube. Replace inner into the outer sleeve. First, feed the air nozzle through the outer and reattach the valve ring until it is secure. Gently feed the rest of the inner air tube into the sleeve, keeping it flat so it doesn't twist. Once back in the sleeve, gently zip up the outer sleeve so it does not snag on the clear inner air tube. Re-attach zip fastener.</li> <li>6. Feed the tube back into the tent sleeve, zip up and then inflate. If <i>Tear Aid B</i> is still curing, do not over-inflate.</li> </ol> </li> <li>• To view a video on how to fix an air tube, go to <a href="http://www.kiwicamping.co.nz">www.kiwicamping.co.nz</a> or Kiwi Camping on Youtube.</li> <li>• If a new tube is required, contact your Kiwi Camping stockist and quote the number on the air tube as a reference.</li> </ul>